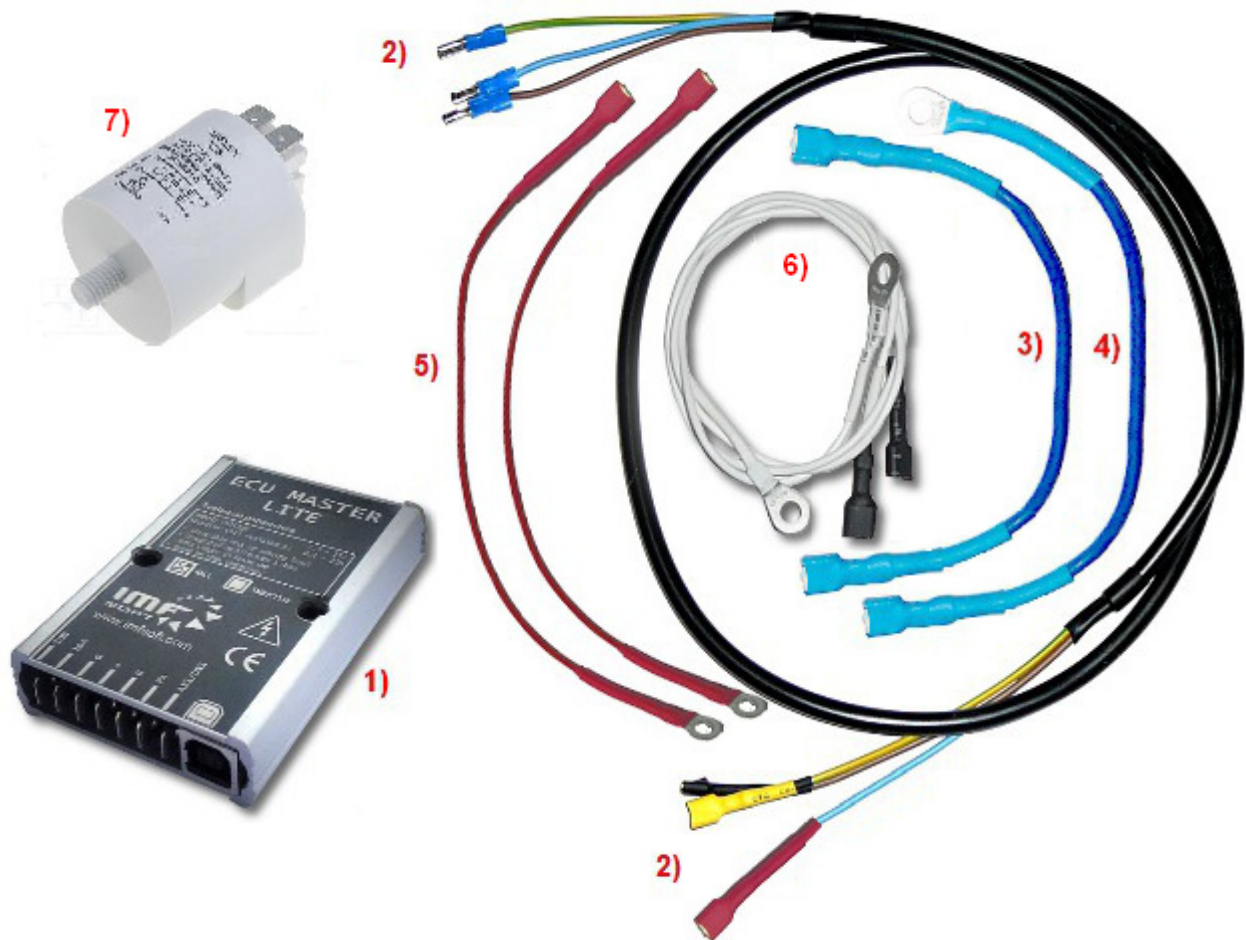


ideas make future

**TRABANT 601
(10/64 – 07/90)**

**ENGINE CONTROL UNIT
PLUG and PLAY – KIT
ENGLISH**

Ignition Kit Mounting Instruction Manual TRABANT 601 made between 10/1964 to 07/1990

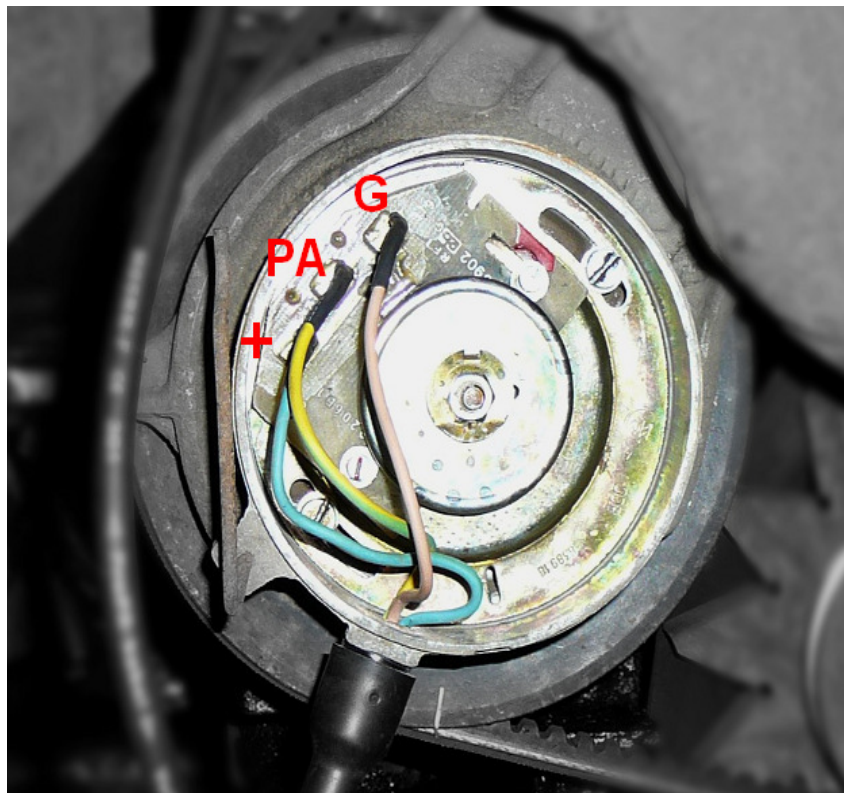


- 1x ECU MASTER LITE 80x55x16 mm
- 1x SUPPLY FILTER
- 2x red wire
- 2x blue wire
- 2x white wires
- 1x blue/brown/yellow wire
- 1x CD with PC application

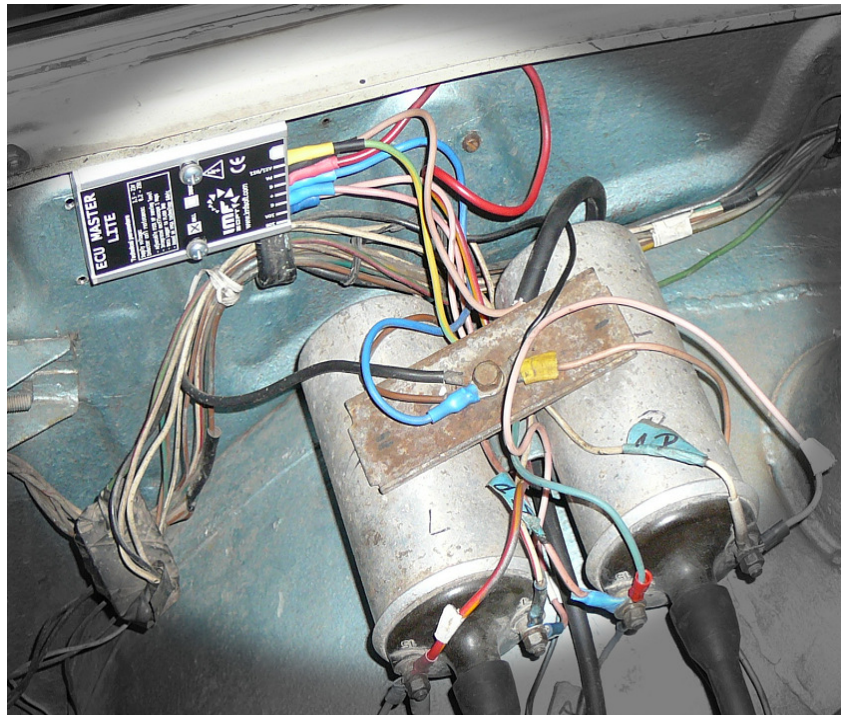
INSTRUCTIONS

1. Turn the ignition off or disconnect battery
2. Remove old EBZA sensor cabling see picture.2
3. Mount new MASTER LITE (part 1) using the screw M5x30 picture.3
4. Connect EBZA sensor to unit FILTER (part 7) – pin **G**, **+**, picture 2, 4
5. Connect FILTER (part 7) to unit MASTER LITE: pin **G**, **+**, **PA** (part 3, 5)
6. Connect blue wire (part 4) to unit MASTER LITE : pin **G** and Ground on Alternator
7. Connect red wire (part 5) to unit MASTER LITE : pin „**+**“ and Ignition coil „**+**“ pole
8. Connect the White wire (part 6) from ignition coil to unit MASTER LITE : pin **10B** and **10A**
9. Turn the ignition ON or reconnect battery, turn the fuel ON
10. Software loaded in the unit is set to default, you can adjust the ignition maps if you wish. Now you can enjoy new power of IMFsoft electronic ignition.

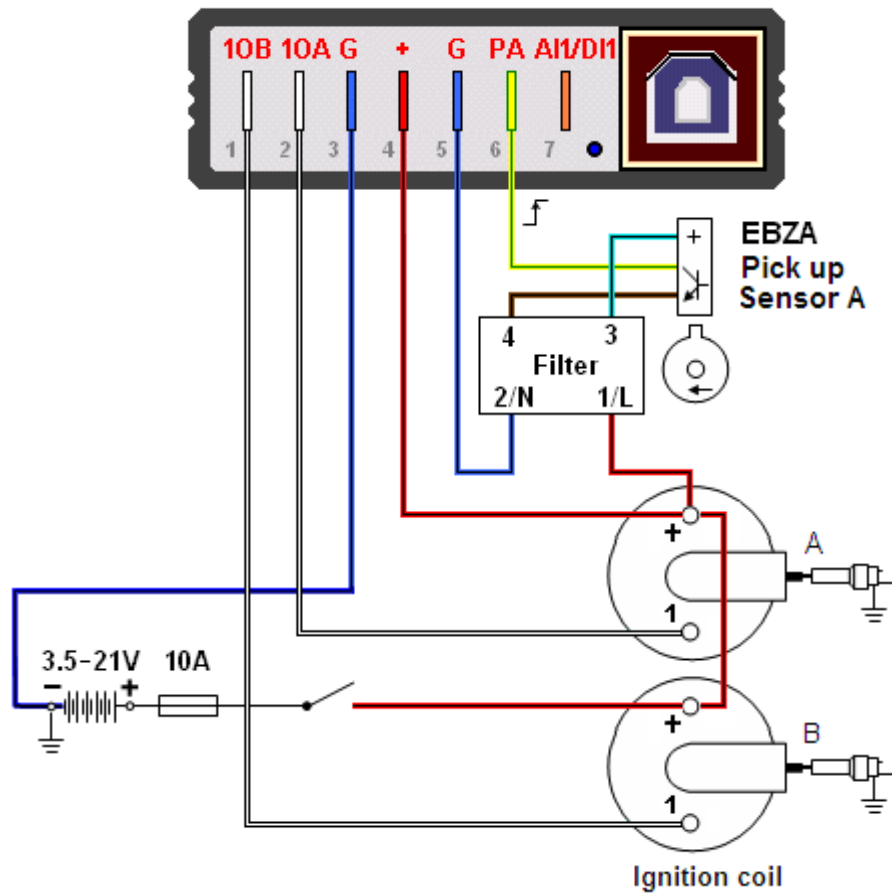
Picture 2 – EBZA pick up sensor connection



Picture 3 – ECU MASTER installation position



Picture 4 – ECU MASTER connection scheme



Picture 6 – ECU MASTER oscilloscope screen

